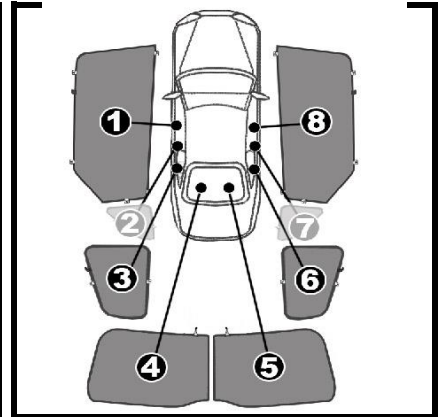


INSTALLATION INSTRUCTIONS

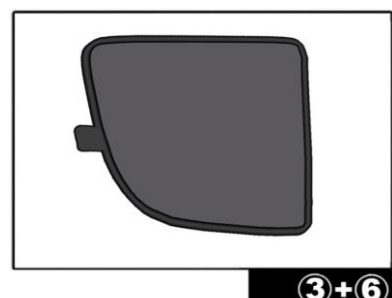
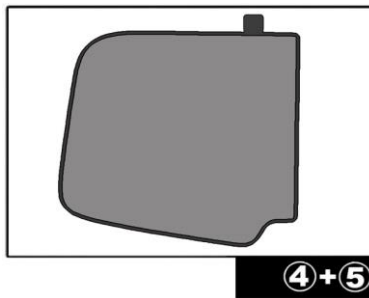
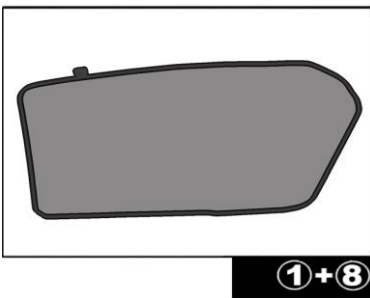
MERCEDES B CLASS 2012-

MB-BCLS-5-B

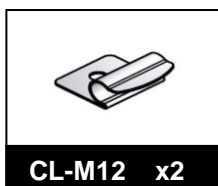


COMPONENTS INCLUDED

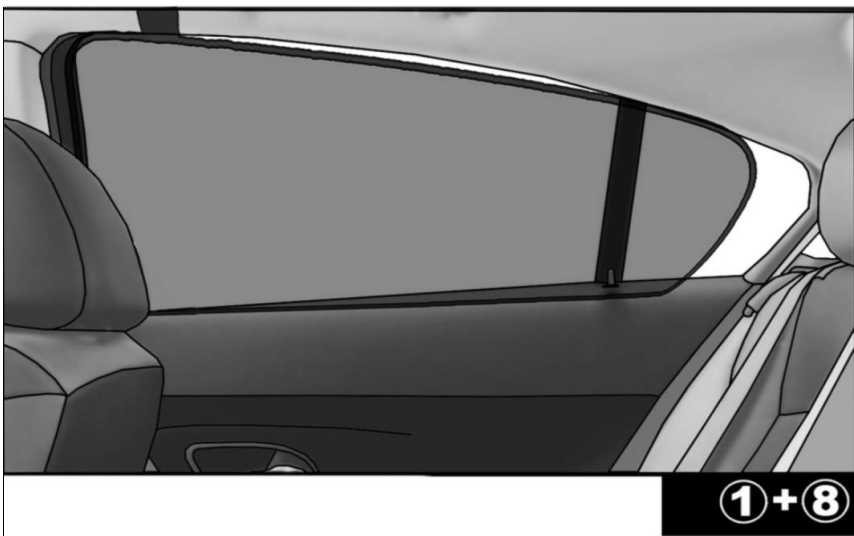
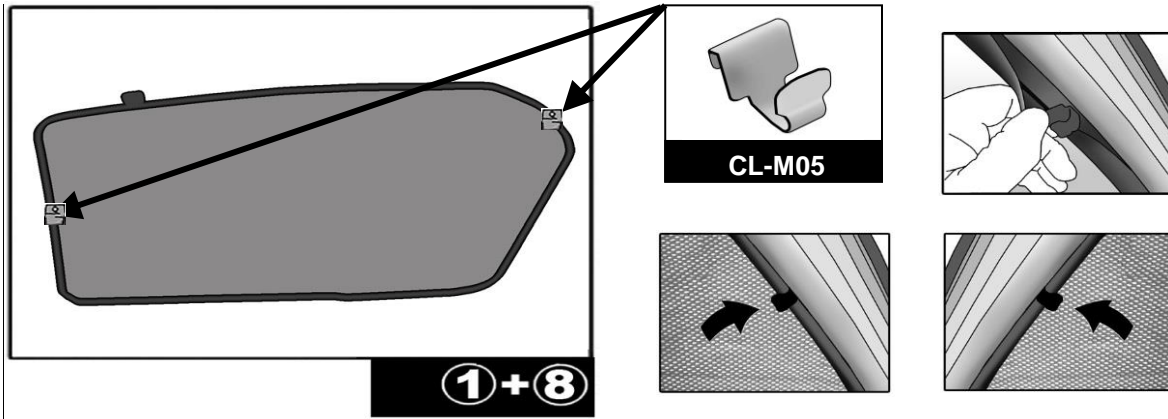
SHADES



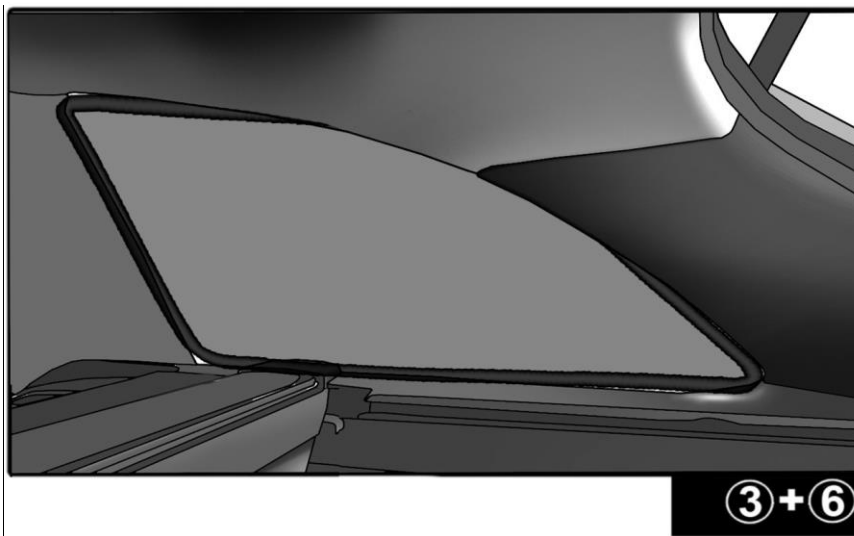
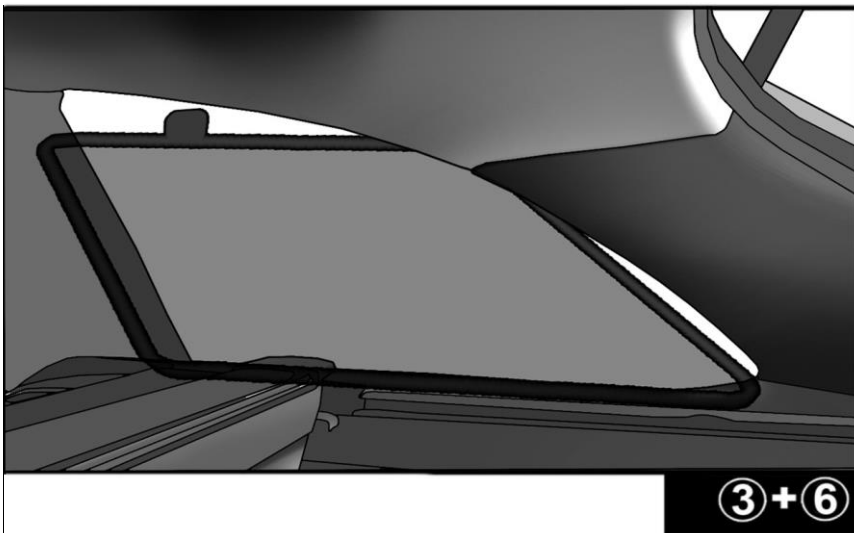
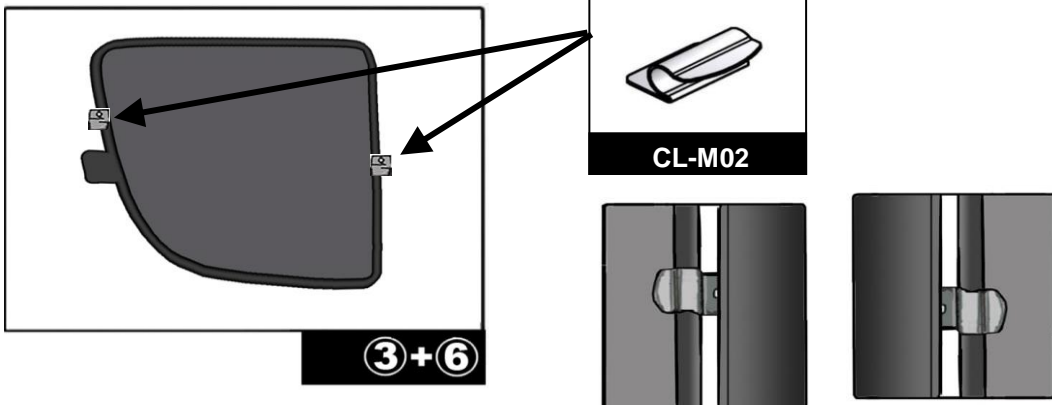
FIXING CLIPS



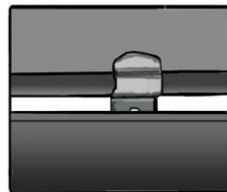
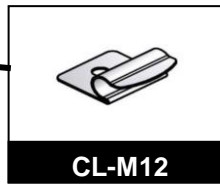
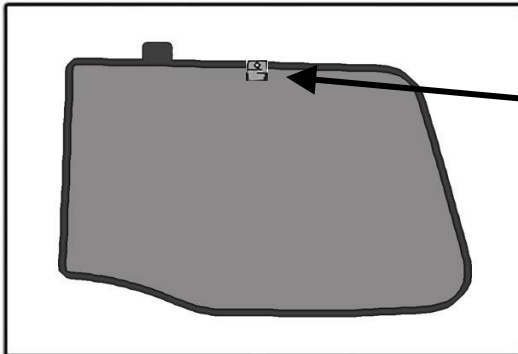
SIDE SHADE INSTALLATION



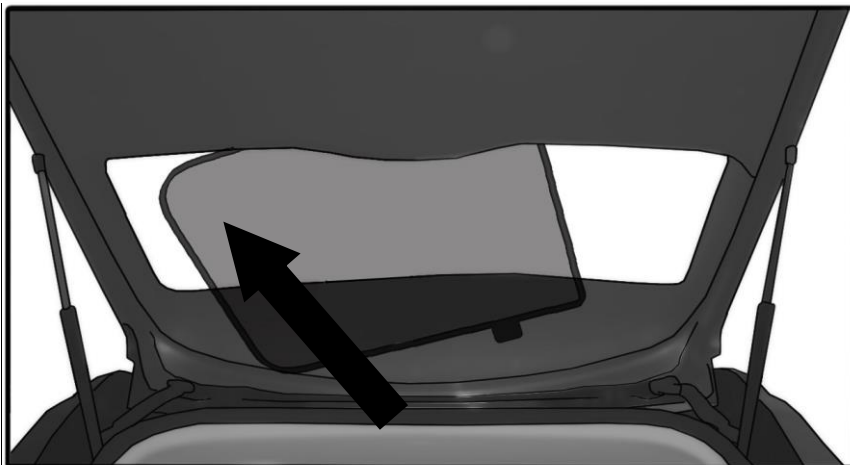
QUARTER LIGHT SHADE INSTALLATION



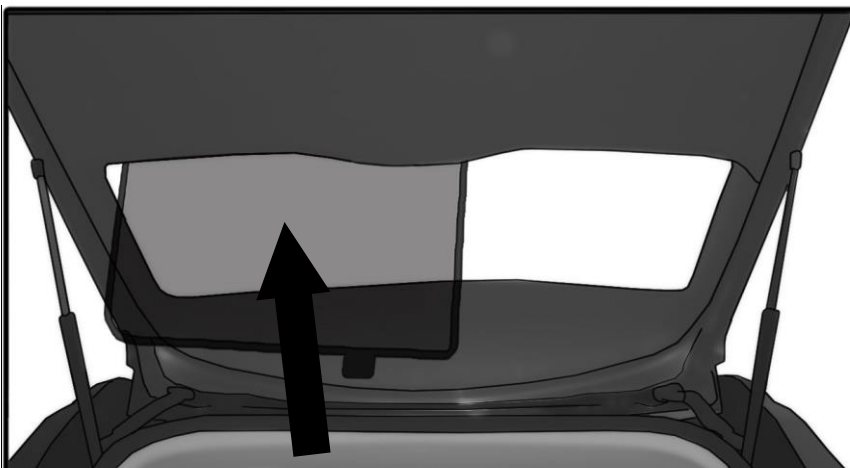
REAR SHADE INSTALLATION



④+⑤

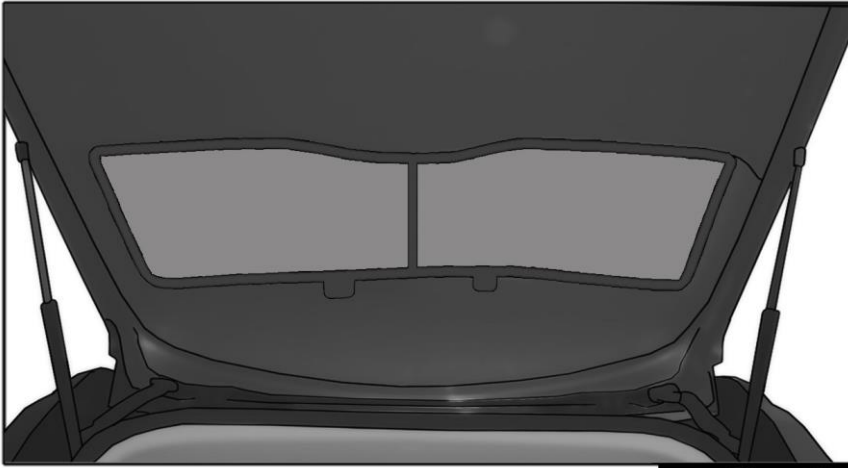


④+⑤



④+⑤

REAR SHADE INSTALLATION



④+⑤